




LOAD CELL CE
 Model: BM6A-C3-12kg-0.2B
 Capacity: 12kg Class: C3
ZEMIC  Do not open this device by yourself.
 For details your local authorized Dealer in need of service.

Short Description



- Stainless steel IP68 single point load cell
- Suitable for platform, belt scales and other weighing devices
- Hermetically sealed
- Maximum platform size: 350 x 350 mm



Test certificate no. TC7834 Revision 1
 C of C no R60/2000-NL1-10.32

Available Models

Capacity	Accuracy	Full Article Description
6kg	C3	BM6A-C3-6kg-6B6
12kg	C3	BM6A-C3-12kg-6B6
30kg	C3	BM6A-C3-30kg-6B6
60kg	C3	BM6A-C3-60kg-6B6

Technical Specifications BM6A

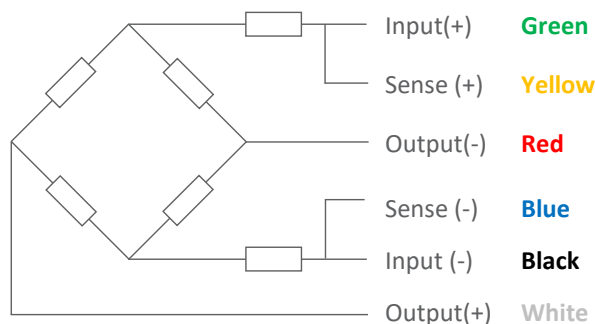
Accuracy Class		OIML R60 C3
Output Sensitivity (= FS)	mV/V	2.0 ± 0.2
Maximum Capacity (E _{max})	kg	6, 12, 30, 60
Max. Number of Load Cell Intervals	n _{LC}	3000
Ratio of min. LC Verification Interval	$Y = E_{max} / v_{min}$	10000
Combined Error	%FS	≤± 0.0230
Creep Error (30 minutes)	%FS	≤± 0.016
Temperature Effect on Zero (ZTC)	%FS/10°C	≤± 0.015
Temperature Effect on Sensitivity (STC)	%FS/10°C	≤± 0.011
Zero Balance	%FS	≤± 1.5
Safe Overload	%FS	150
Ultimate Overload	%FS	300
Maximum Deflection	mm	0.0006 ~ 0.0017
Eccentric Loading Error	%Ld/cm	± 0.002
Excitation, Recommended Voltage	V	5 ~ 12
Excitation, Maximum Voltage	V	18
Input Resistance	Ω	400 ± 20
Output Resistance	Ω	351 ± 2
Insulation Resistance (50V)	MΩ	≥5000
Compensated Temperature	°C	-10 ~ + 40
Operating Temperature	°C	-35 ~ + 65
Storage Temperature	°C	-40 ~ + 70
Load Cell Weight	kg	~ 1.2
Element Material		Stainless Steel
Ingress Protection (acc. to EN 60529)		IP68
Recommended Torque on Fixation Bolts	Nm	M6: 10
ATEX Classification (optional)		II1G Ex ia II1C T4 II1D Ex iaD 20 T73°C II3G Ex nL IIC T4

Wiring

Features:

Cable type: Shielded, 6 conductor cable , conductor AWG 24
 Cable diameter: Ø 6.2mm
 Cable length: 6.0m
 Cable jacket: Polyurethane
 Shield not connected to element

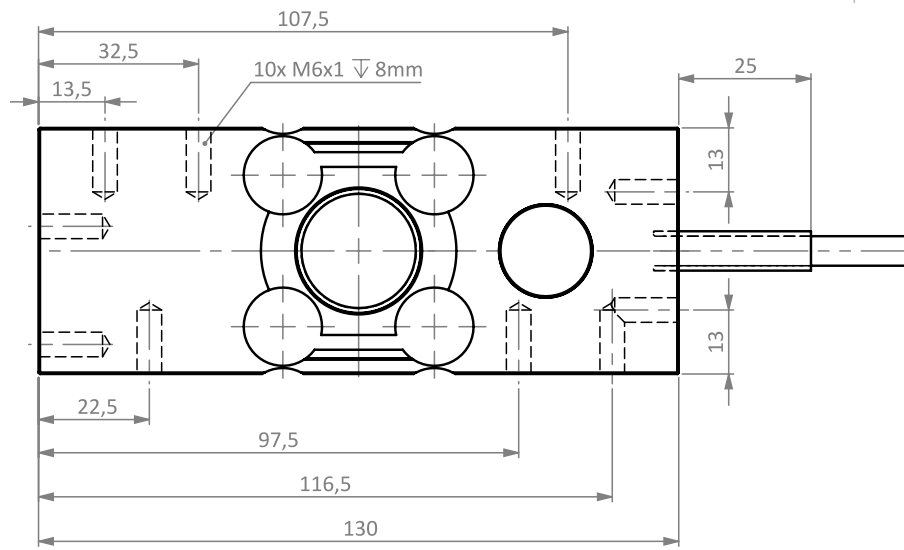
6-Wire Connection Diagram



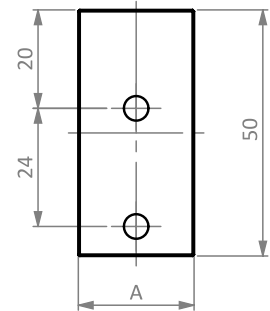
Specifications and dimensions are subject to change without notice and do not constitute any liability whatsoever.

Dimensions in mm

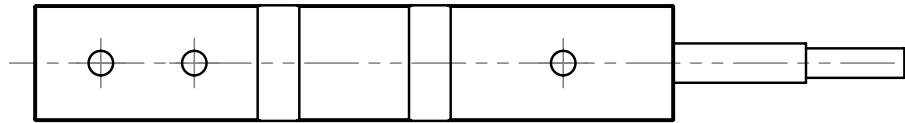
Front View



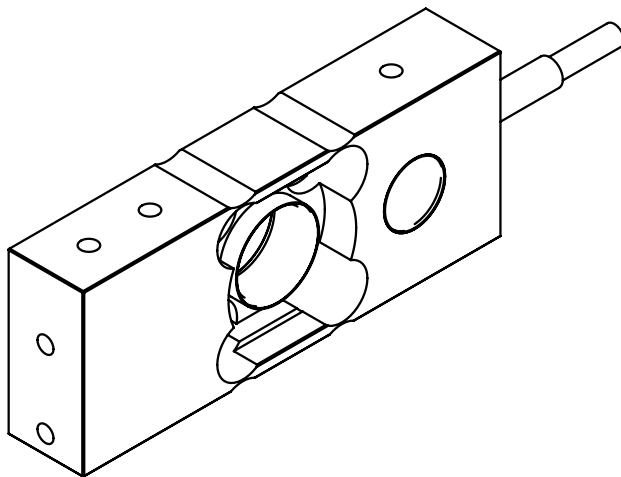
Side View



Top View



Isometric View



Dimension Capacity	A
6kg, 12kg, 30kg	18.5
60kg	23.5

Specifications and dimensions are subject to change without notice and do not constitute any liability whatsoever.