



Short Description

- Stainless steel IP68 “S” type load cell
- Tension and compression applications
- Suitable for hanging, hopper and other weighing devices



 Test certificate no. D09-08.01
C of C no R60/2000-DE1-10.08

 Certificate no. 06-099A1

Available Models

Capacity	Accuracy	Full article description
50kg	C3 Excluded from OIML	BM3-C3-50kg-6B
100kg	C3 Excluded from OIML	BM3-C3-100kg-6B
150kg	C3 Excluded from OIML	BM3-C3-150kg-6B
200kg	C3 Excluded from OIML	BM3-C3-200kg-6B
250kg	C3 Excluded from OIML	BM3-C3-250kg-6B
0.5t	C3	BM3-C3-0.5t-3B
1t	C3	BM3-C3-1t-6B
2t	C3	BM3-C3-2t-6B
3t	C3	BM3-C3-3t-6B
4t	C3	BM3-C3-4t-6B
5t	C3	BM3-C3-5t-6B
6t	C3	BM3-C3-6t-6B
7.5t	C3	BM3-C3-7.5t-6B

Specifications and dimensions are subject to change without notice and do not constitute any liability whatsoever.

Technical Specifications BM3

Accuracy Class		C3	OIML R60 C3
Output Sensitivity (= FS)	mV/V	2.0 ± 0.008	2.0 ± 0.004
Maximum Capacity (E _{max})	t	0.05, 0.1, 0.15, 0.2, 0.25	0.5, 1, 2, 3, 4, 5, 6, 7.5
Max. Number of Load Cell Intervals	n _{LC}	3000	
Ratio of min. LC Verification Interval	$Y = E_{max} / V_{min}$	7500	12000
Combined Error	%FS	≤± 0.023	
Creep Error (30 minutes)	%FS	≤± 0.016	
Temperature Effect on Zero (ZTC)	%FS/10°C	≤± 0.015	
Temperature Effect on Sensitivity (STC)	%FS/10°C	≤± 0.011	
Zero Balance	%FS	≤± 1.5	
Safe Overload	%FS	150	
Ultimate Overload	%FS	300	
Maximum Deflection	mm	0.1935 ~ 0.4079	
Excitation, Recommended Voltage	V	5 ~ 12	
Excitation, Maximum Voltage	V	18	
Input Resistance	Ω	350 ± 3	
Output Resistance	Ω	350 ± 3	
Insulation Resistance (50V)	MΩ	≥5000	
Compensated Temperature	°C	-10 ~ + 40	
Operating Temperature	°C	-35 ~ + 65	
Storage Temperature	°C	-40 ~ + 70	
Load Cell Weight	kg	0.05t – 4t: 1.7 ~ 1.9	5t – 7.5t: ~3.1
Element Material		Stainless Steel	
Ingress Protection (acc. to EN 60529)		IP68	
ATEX classification (optional)		II1G Ex ia II1C T4	II1D Ex iaD 20 T73°C II3G Ex nL IIC T4

Wiring

Features:

Cable type: Shielded, 4 conductor cable , conductor AWG 22

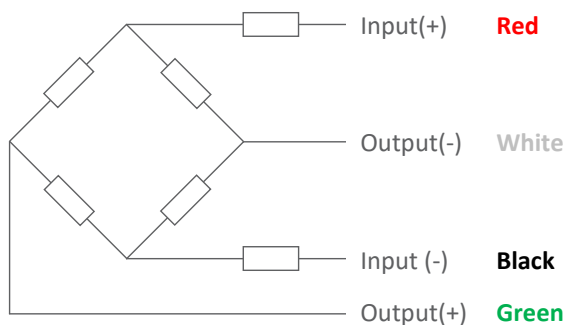
Cable diameter: Ø 5mm

Cable length: 6m, except for 500kg: 3m

Cable jacket: Polyurethane

Shield not connected to element

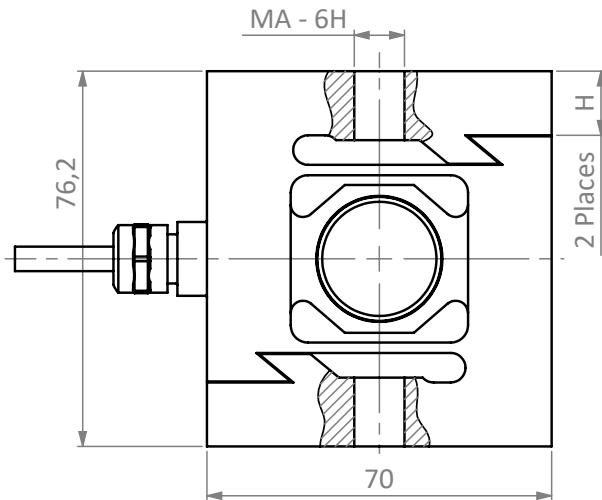
4-Wire Connection Diagram



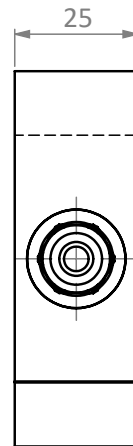
Type BM3 Load Cell

Dimensions in mm

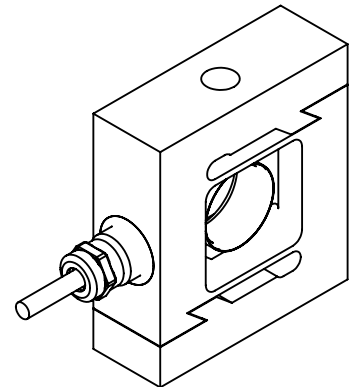
50kg – 250kg Side View



Back View

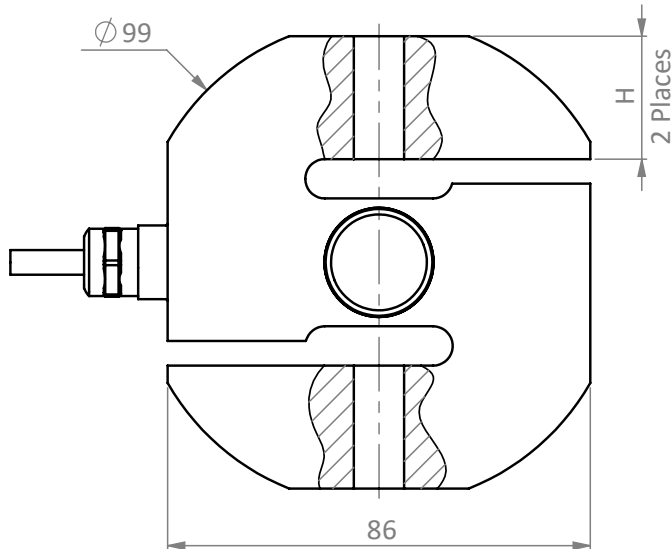


Isometric View

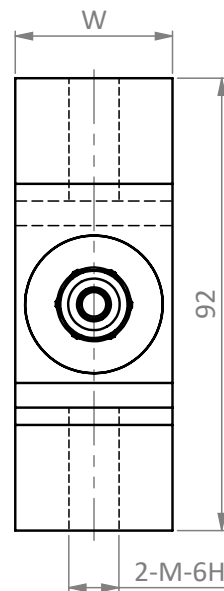


Dimension Capacity	MA	H
50kg, 100kg	M8	13
150kg - 250kg	M12 x 1.75	14

0.5t – 7.5t Side View



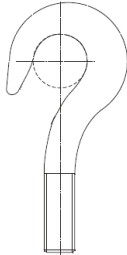
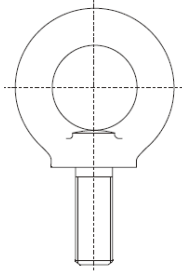
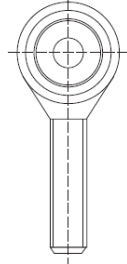
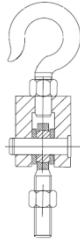
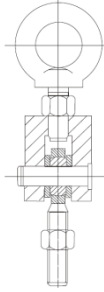
Back View



Dimension Capacity	W	H	M
0.5t, 1t	32	25	M12 x 1.75
2t, 3t	32	25	M20 x 1.5
4t	36	25	M20 x 1.5
5t, 6t, 7.5t	50	24	M24 x 2

Specifications and dimensions are subject to change without notice and do not constitute any liability whatsoever.

Available accessories

<p>HL-3-001-25kg-4t hook</p> <ul style="list-style-type: none"> • Alloy steel • Suitable for hybrid scales, crane scales, packaging scales and hopper scales 	
<p>HL-3-002-0.025-4t eye</p> <ul style="list-style-type: none"> • Alloy steel • Suitable for hybrid scales, crane scales, packaging scales and hopper scales 	
<p>HL-3-003-0.025-7.5t rod end</p> <ul style="list-style-type: none"> • Alloy steel • Suitable for hybrid scales, crane scales, packaging scales, hopper scales and other electronic weighing devices. 	
<p>HL-3-004-0.025-3t hook assembly</p> <ul style="list-style-type: none"> • Alloy steel • Suitable for hybrid scales, crane scales, packaging scales, hopper scales and other electronic weighing devices. 	
<p>HL-3-005- 0.025-4t eye assembly</p> <ul style="list-style-type: none"> • Alloy Steel • Suitable for hybrid scales, crane scales, packaging scales, hopper scales and other electronic weighing devices. 	
<p>HL-3-007- 5t rod end</p> <ul style="list-style-type: none"> • Alloy Steel • Suitable for hybrid scales, crane scales, packaging scales, hopper scales and other electronic weighing devices. 	