



Short description



- Self aligning construction
- Easy load cell access
- Stainless steel
- Lift-off protection
- Can be used with Load Cell models: BM11

Available models

Model	Capacity	Full article description	Part number
BM-11-401	5 – 200kg	BM-11-401-5kg/200kg	2080200
	250 – 500kg	BM-11-401-250kg/500kg	2080201

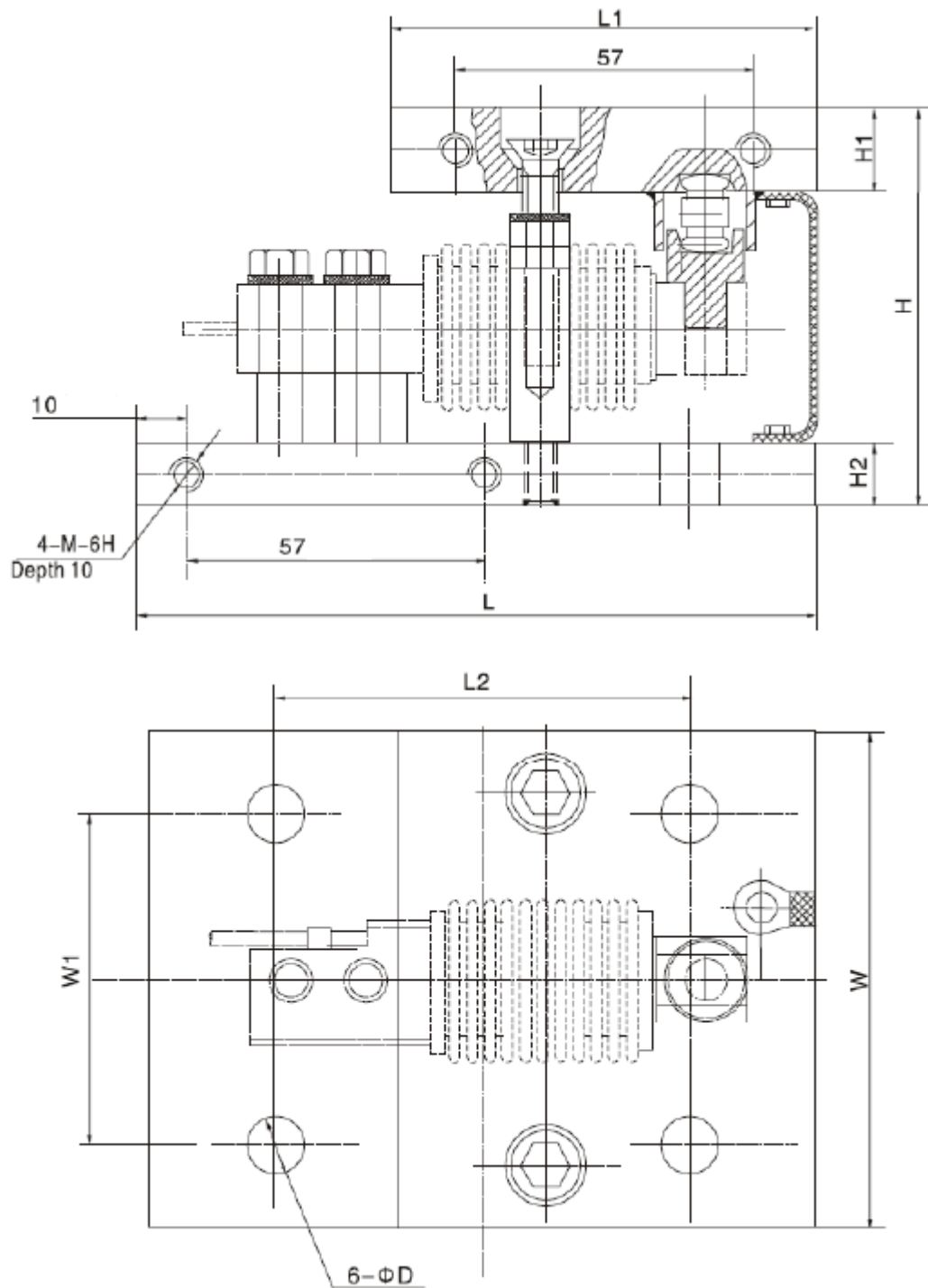
Detailed specifications BM-11-401

Capacity	5 – 200 kg	250 – 500kg
Maximum vertical force (down)	10 kN	30 kN
Maximum vertical force (up)	5 kN	10 kN
Maximum horizontal force	5 kN	15 kN
Maximum horizontal movement	+1 / -1 mm	+1 / -1 mm

Specifications and dimensions are subject to change without notice and do not constitute any liability whatsoever.

Type BM-11-401

Dimensions in mm



Dimension Capacity	H	H1	H2	L	L1	L2	W	W1	ØD	M
5 – 200kg	77	12	12	130	75	95	90	60	9	M5
250 – 500kg	90	20	15	160	100	100	120	80	14	M8

Specifications and dimensions are subject to change without notice and do not constitute any liability whatsoever.